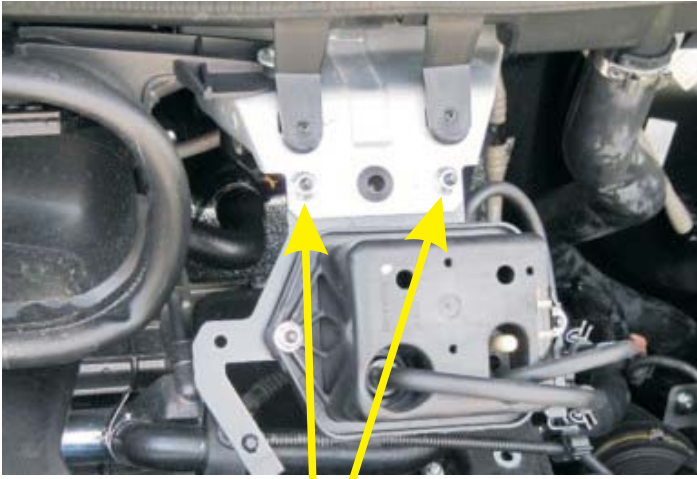
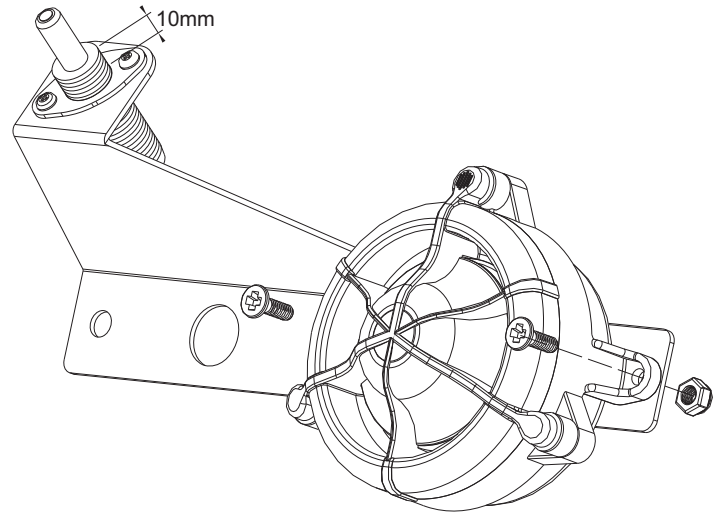


ALARM SYSTEM 933MH with 7746 SIREN for FIAT DUCATO CAMPER EURO V (2011>)



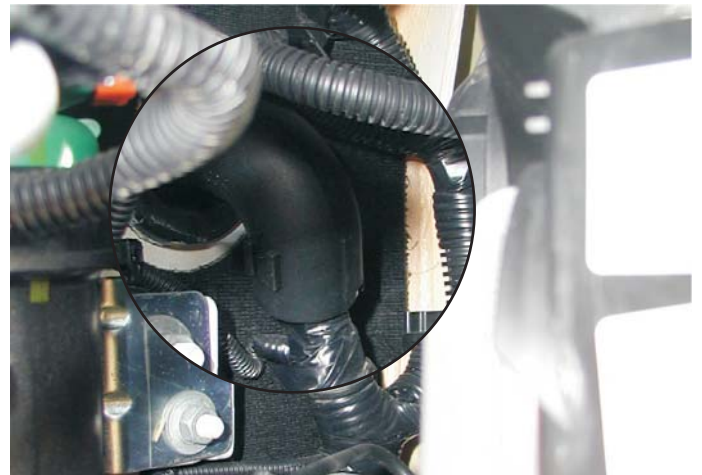
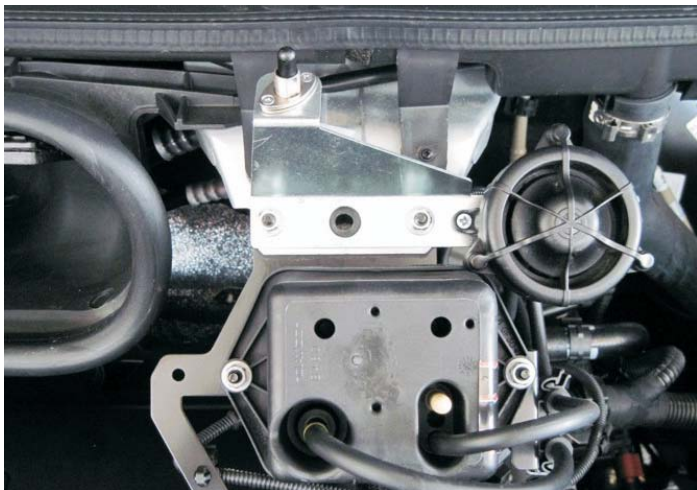
Remove the two 10mm lock-nuts from the OE metal bracket in the middle of the engine bay.
ATTENTION: not all vehicles come with this mounting bracket.

Secure the siren mounting bracket to the OE bracket with the two 10mm lock-nuts previously removed.
If the vehicle does not come with an OE bracket, use the supplied nuts and bolts to install the mounting bracket.

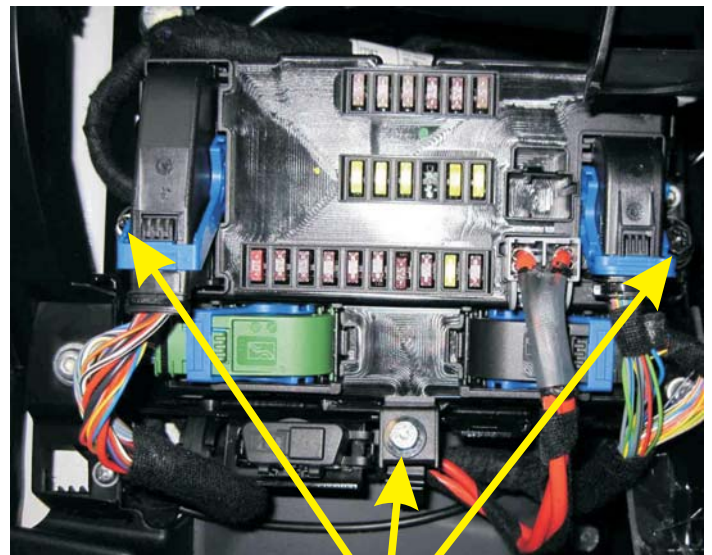
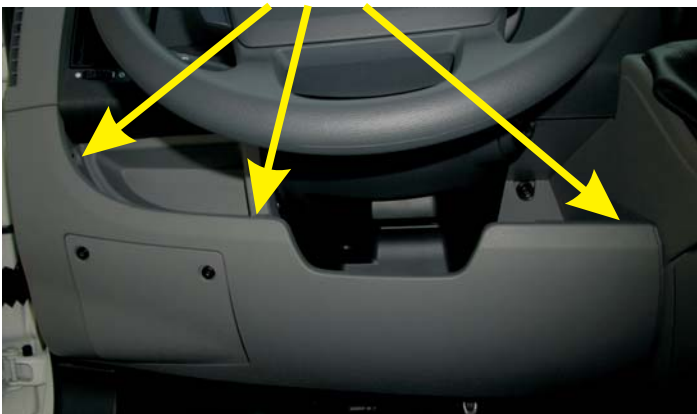


Secure the siren and bonnet switch to the mounting bracket with the provided nuts and bolts.
The top threaded part of the switch must stand out approximately 10mm.

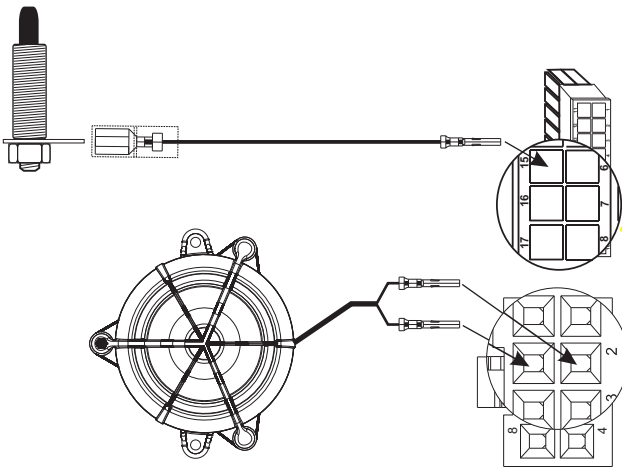
Run the siren and bonnet switch wiring through the OE grommet, behind the driver side headlight, over the ABS pump.



Remove the 3 retaining screws from the lower dash plastic trim; unhook and remove.



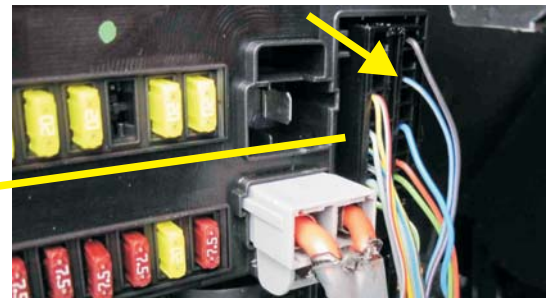
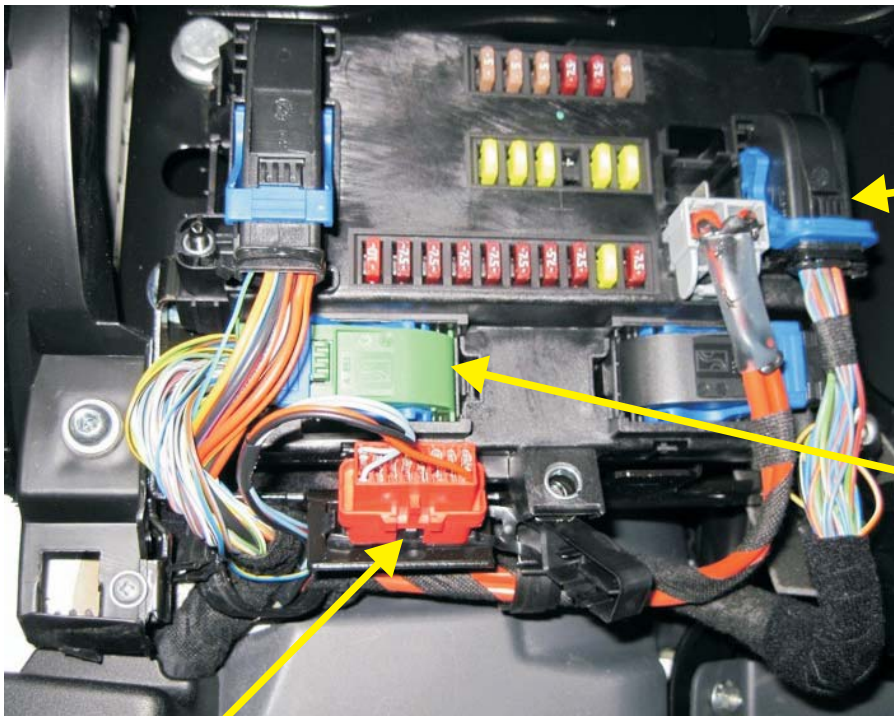
Remove the nut and 10mm bolts from the fuse box.



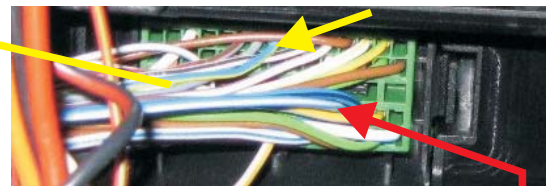
Connect the siren and bonnet switch wires to the alarm unit as shown above.



Plug the wiring connectors into the corresponding outlets on the alarm unit.



Connect the YELLOW wire from the alarm harness to the GREY-LIGHT BLUE wire (Pos. 18) in the Black-Blue 20-way connector on the front of the fuse box.

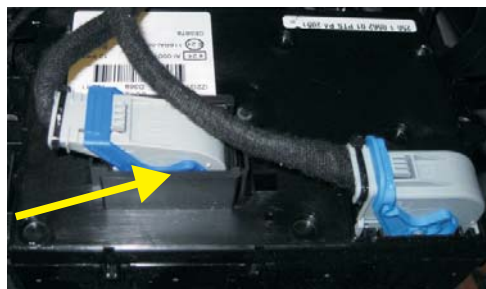


Connect the WHITE-BLACK wire from the alarm harness to the BLUE-YELLOW wire (Pos. 53) in the Green-Blue 60-way connector on the front of the fuse box.



Remove the plastic cover from the Black 16-way OBD diagnostic connector fitted under the fuse box and connect the alarm harness RED connector.

Connect the BLUE wire from the alarm harness to the PURPLE-ORANGE wire (Pos. 55) in the Grey-Light Blue 60-way connector on the back of the fuse box.



ADDITIONAL CONNECTION for vehicles with REMOTE CENTRAL LOCKING TO HABITATION DOOR or with OE 3-BUTTON REMOTE CONTROL

Connect the alarm WHITE-GREY wire to the WHITE-GREY wire (Pos. 27) in the 60-way Green-Blue connector.

ATTENTION:
Applicable only to control units labeled 13 or higher.

To unlock habitation door when unlocking the cab doors, the 'Double Pulse Unlock' feature must be enabled during installation.

- To do so proceed as follows:
- ground the alarm GREEN-BLACK wire;
 - connect the alarm unit: 3 beeps will confirm operation;
 - disconnect and insulate the GREEN-BLACK wire.

To reset the feature back to the default setting, repeat the same operation; 1 low-tone signal (boop) will confirm the operation.

NB: The system does not need to be configured, it is factory preset with the correct CAN code (131).

FINAL OPERATIONS

Test the alarm system to make sure it works properly. If it does, reinstall the fuse box and the dash plastic trim. Otherwise, double check all connections to make sure they have been made correctly.